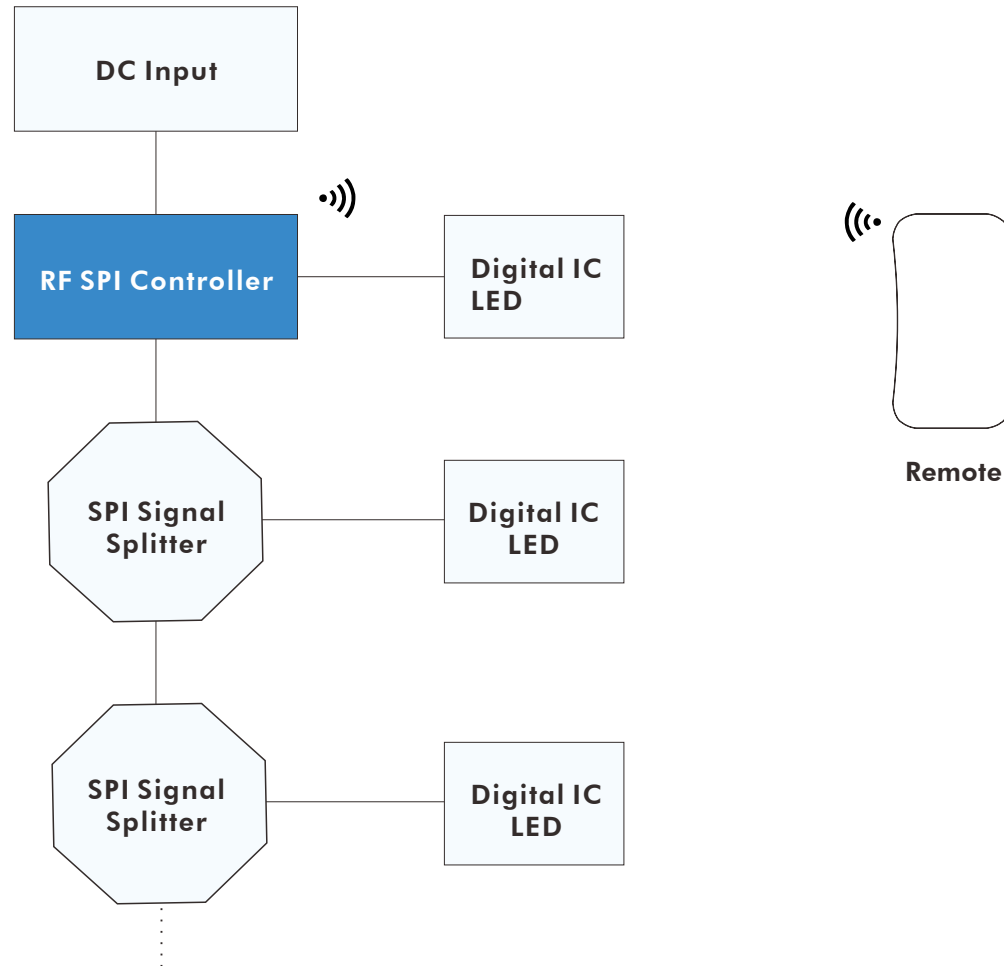
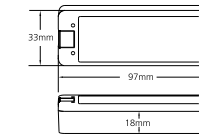


SPI LED Controller



SPI Series

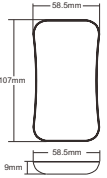
RF SPI Controller



- Mini-style RF 2.4G multi-pixel RGB controller with SPI output.
- Match with Skydance's 2.4G RGB remote control.
- Compatible with 28 kinds digital IC LED strip.
- 32 kinds dynamic mode.

Model	Input Voltage	Input Current	Output Signal	Output Dots
SC	5-24VDC	8A Max	SPI Signal	1024

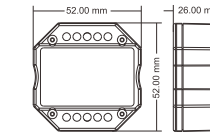
SPI RGB Remote



- Apply to RGB, RGBW and SPI controller.
- Each remote can match one or more controller.
- CR2032 battery powered.
- Operate with LED indicator light

Model	Light Type	Working Vpltage
R9	RGB/RGBW or Multi-pixel RGB	3VDC(CR2032)

SPI Signal Splitter



- Split 1 group SPI signal (data+clock) to 2 group SPI signals.
- Used with SPI controller, applied to synchronous control multiple
- SPI digital RGB or RGBW LED strips

Model	Input Voltage	Input Signal	Output Signal
SA	5-24VDC	1 group SPI(TTL)	2 group SPI(TTL)

SPI SERIES (SC+R9)

Compatible with 32 kinds of digital IC

1024 control point Work with SPI remote

